

IPS900

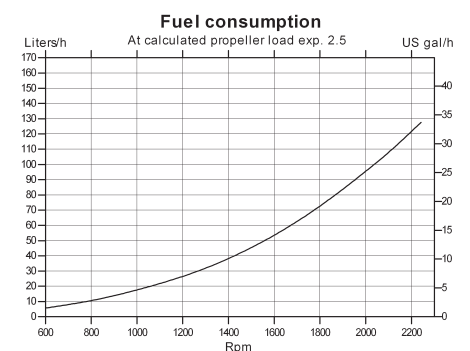
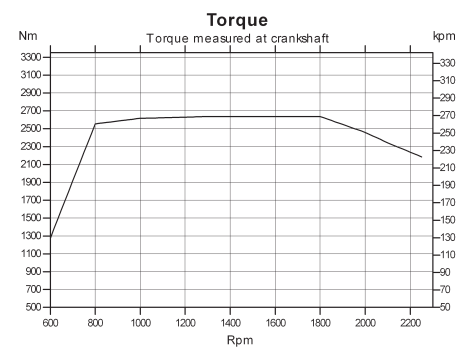
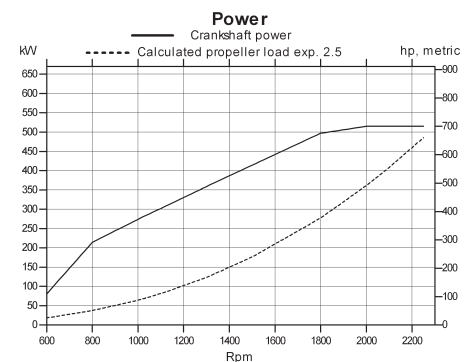


General Data

System designation	IPS900
Engine displacement, l (in ³)	12.8 (780)
Configuration	in-line 6
Crankshaft power, kW (hp)	515 (701) @ 2250 rpm
Propshaft power, kW (hp)	485 (660) @ 2250 rpm
Aspiration	Dual stage turbo with twin charge air coolers
Rating	R3*
Package dry weight, approx. kg (lb)	2300 (5060)
Propeller series	Q1-Q7, QS5, QE1-4
Voltage	24V
Emission compliance	IMO NO _x , EU RCD Stage II, US EPA Tier 3
Application	Twin/multiple engine installation in planing and semi planing hulls
Speed range	21 to 39 knots

Technical data according to ISO 8665. With fuel having an LHV of 42700 kJ/kg and density of 840 g/liter at 15°C (60°F). Merchant fuel may differ from this specification which will influence engine power output and fuel consumption.

*RATING 3. For commercial vessels or craft with high demands on speed and acceleration, planing or semi-planing hulls in cyclical operation.



**VOLVO
PENTA**

IPS900

Technical description:

Engine and block

- Cylinder block made of cast iron
- One-piece cast-iron cylinder head
- Ladder frame fitted to engine block
- Replaceable wet cylinder liners and valve seats/guides
- Drop forged crankshaft with induction hardened bearing surfaces and fillets with seven main bearings
- Four-valve-per-cylinder layout with overhead camshaft and center position of unit injectors
- Each cylinder features cross-flow inlet and exhaust ducts
- Gallery oil-cooled cast aluminum alloy pistons with three piston rings
- Rear-end transmission

Engine mounting

- Flexible engine mounting

Lubrication system

- Integrated oil cooler in cylinder block
- Rear positioned twin full flow oil filter of spin-on type and by-pass filter

Fuel system

- Electronic high pressure unit injectors
- Gear-driven fuel pump and injection timing
- Electronically controlled central processing system (EMS – Engine Management System)
- Single fine fuel filter of spin-on type

Air inlet and exhaust system

- Twin entry turbo technology with freshwater-cooled charge air cooler
- Air filter with replaceable inserts
- Wet exhaust elbow/riser (option)

Cooling system

- Seawater-cooled plate heat exchanger
- Coolant system prepared for hot water outlet
- Easily accessible seawater pump in rear end of flywheel housing

Electrical system

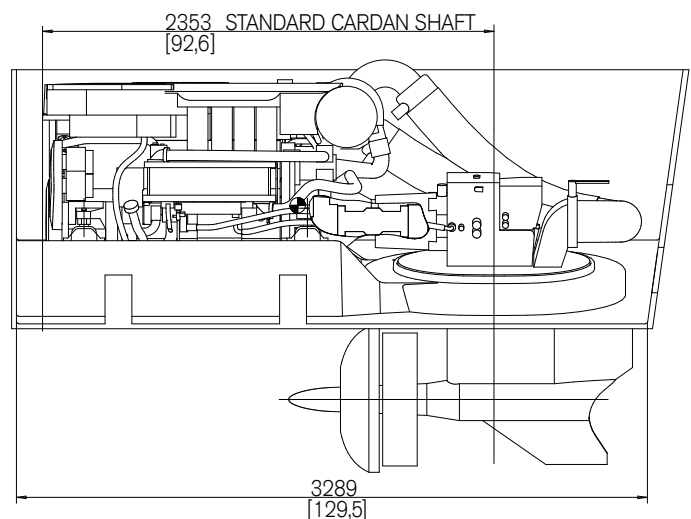
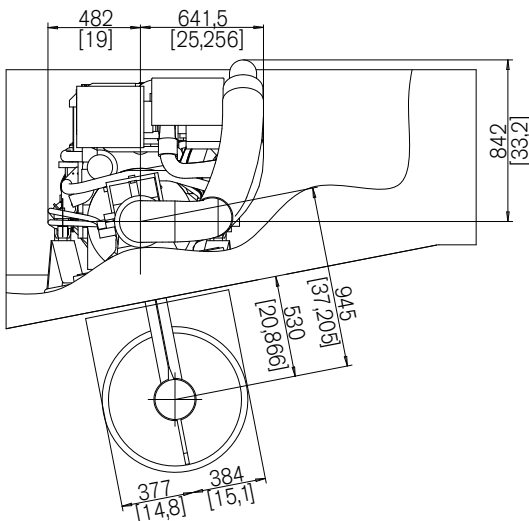
- 24V/110A plus an optional extra 24V/110A alternator

Instruments/controls (option)

- Complete instrumentation including key switch and interlocked alarm
- EVC monitoring panels for type-approved installations
- Electronic shift and throttle
- Plug-in connectors
- Independent Rudder Sender (factory mounted)

Dimensions IPS900

Not for installation



More information

Contact your local Volvo Penta dealer for more information regarding Volvo Penta engines and optional equipment/accessories or visit www.volvopenta.com



Download the Volvo Penta dealer locator App for your iPhone or Android

VOLVO PENTA

AB Volvo Penta

SE-405 08 Göteborg, Sweden
www.volvopenta.com

Not all models, standard equipment and accessories are available in all countries. All specifications are subject to change without notice. The engine illustrated may not be entirely identical to production standard engines.